



DATASHEET:

HA-80 FL

WINDSOCK ASSEMBLY FOR ANY DESIRED LOCATION

The HA-80 FL is a reliable wind direction and wind speed indicator for installation on any desired location. The reliable illumination system (if present) is fixed and therefore has no rotating electric parts or slip-rings. Due to its unique design maintenance cost and power consumption are low.

MAST DIAMETER

76,1 mm

MAST LENGTH

Standard: 200mm

(or any other length on request max 5800mm)

For dimensions of the different lighting styles, see other side.

MAST MATERIAL

Stainless steel 316L

WINDSOCK

Colour red/white (ICAO) or orange (FAA), double stitched with reinforced front hem and grommets. The HA windsock sleeves have been proven to withstand wind speeds in excess of 145 km/h (75 knots). The windsock fabrics have been tested for mechanical strength, UV resistance and colour fastness by an independent laboratory.

WINDSOCK SIZES

| | |
|---------------|--------------------------------|
| Ø300 x 1200mm | Ø500 x 1500mm |
| Ø300 x 1500mm | Ø500 x 1500mm with push button |
| Ø300 x 1800mm | Ø600 x 2400mm |
| Ø400 x 2500mm | Ø600 x 3000mm |
| Ø450 x 2450mm | Ø18" x 8ft (FAA size 1) |
| | Or any other custom made size |

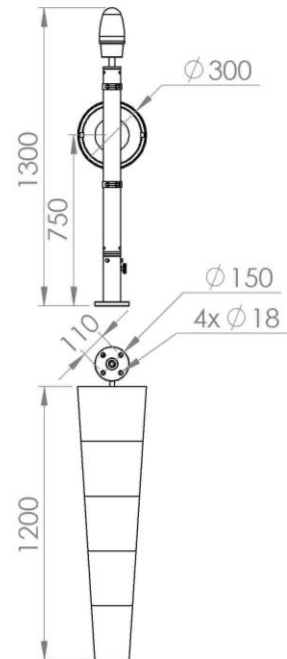
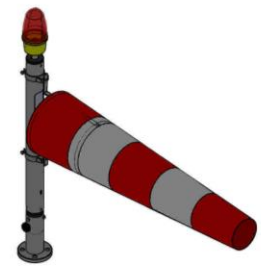
OPTIONS

Ex Junction Box: CEAG eAZK 96 1 2xM20 or 4xM20 certified for: EEX e II T6 Zone 1 and Zone 2



COMPLIANCES

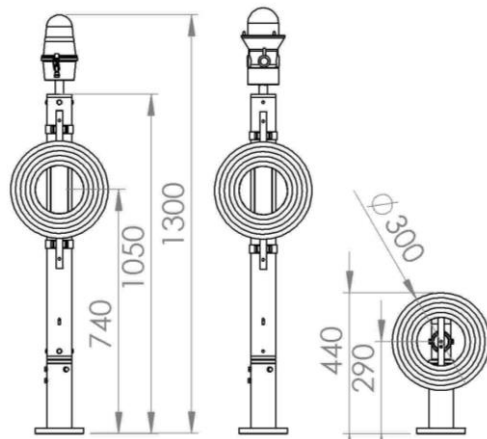
ICAO Annex 14
ICAO Annex 14 part II heliports
FAA AC150/5345-27
UK CAA CAP 168 and CAP 437
EASA ADR
EASA CS-HPT-DSN



Holland Aviation
Daniëlsweg 40
4451 HW Heinkenszand
The Netherlands

Tel. +31 (0)113 613467
Fax. +31 (0)113 613570
Email: info@hollandaviation.com
www.hollandaviation.com





Internally Lighted Internally Lighted Ex Unlighted



NORMAL INTERNAL LIGHTED

Type internal lighting: HA-Internal Lighting
Power supply: 90-240VAC or 6,6A
Power consumption internal light: 12 Watt LED

Type obstruction light: HA-OL
Power supply: 90-240VAC or 6,6A
Power consumption obstruction light: 5 Watt LED

Ingress protection: IP65
Ambient Temperature: -40°C to +60°C



EX INTERNAL LIGHTED

Type obstruction light: EatonAB50 SPG1N
Red low intensity class B
Power supply: 90-240 VAC or 12-24VDC
Power consumption Obstruction Light: 5 Watt LED
Marking: Ex II 2 G Ex d IIC T6
EC-type certificate: LOM 02ATEX2018X
Certificate: BVS 15 ATEX ZQS/E345
Ingress Protection: IP66
Ambient Temperature: -50°C to +55°C

Type internal lighting: Thuba GB 34 20 0385
Power supply: 85-265 VAC or 12-370 VDC
Power consumption Internal Light: 20 Watt LED
Marking: Ex db IIC T6 Gb
Certificate: IECEx BVS 18.0055
BSV 17 ATEX E 078 X
Ingress Protection: IP 68
Ambient Temperature: -20°C to +50°C



Holland Aviation
Daniëlsweg 40
4451 HW Heinkenszand
The Netherlands

Tel. +31 (0)113 613467
Fax. +31 (0)113 613570
Email: info@hollandaviation.com
www.hollandaviation.com

