



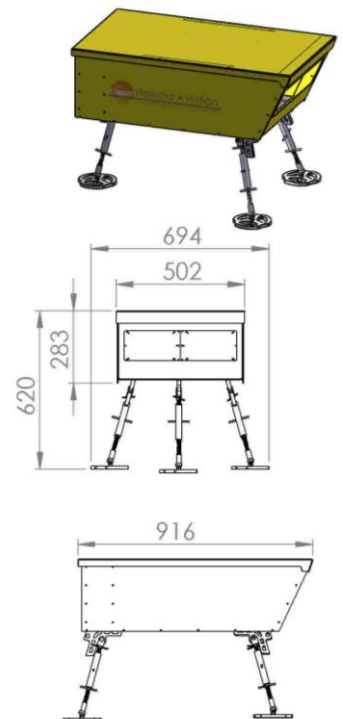
DATASHEET:

## HA-APAPI 12V

PORTABLE, BATTERY POWERED, LED APAPI SYSTEM

An abbreviated precision approach path indicator (APAPI) is a visual aid that provides guidance information to help a pilot acquire and maintain the correct approach path to a runway threshold or TLOF (heliport). The HA-APAPI 12V is a portable lighting system with three foldable, adjustable legs.

ENCLOSURE	Aluminium body (AlMg4,5), colour: Yellow RAL 1021, NATO Green RAL 6031, or any colour on request.
DIMENSIONS LIGHT	916x502x620mm
WEIGHT LIGHT	Appr. 21 kg
LENS	Borosilicate glass
COLOUR FILTER	Dichroic Red
LIGHT SOURCE	90 Watt LED
POWER CONSUMPTION	180 Watt
SERVICE TIME	7 hours at 12V, 14 hours at 24V
BATTERY POWER SUPPLY	12V/105 Ah SLAB or 24V/210Ah SLAB
BATTERY LEVEL	LED indication on charger
CONTROL	Manual (standard) and/or wireless (optional)
RC FREQUENCY	2,4 GHz
RC RANGE	1000-1200 m (depending on height of the antenna) from transmitter to nearest light (endless with a MESH system)
AMBIENT TEMPERATURE	-20 °C to + 50 °C
INGRESS PROTECTION	IP 44
OPTIONAL	Clino meter (Mitutoyo pro 3600) Heater system to prevent mist on lenses
COMPLIANCES	ICAO Annex 14 Vol. I UK CAA CAP 168 EASA ADR EASA CS-HPT-DSN



Holland Aviation  
Daniëlsweg 40  
4451 HW Heinkenszand  
The Netherlands

Tel. +31 (0)113 613467  
Fax. +31 (0)113 613570  
Email: [info@hollandaviation.com](mailto:info@hollandaviation.com)  
[www.hollandaviation.com](http://www.hollandaviation.com)

