



DATASHEET:

HA-HBS

HELIPORT BEACON SYSTEM

Clear white heliport beacon light. Suitable as a long-range visual guidance and/or heliport identification lighting. A heliport should be provided with a beacon light when visual guidance is not provided by other visual means or when identification of the heliport is difficult due to surrounding light.

ENCLOSURE LIGHT Aluminium body, colour: yellow RAL 1021, chromate conversion and powder coating

DIMENSIONS LIGHT 266x160x190 mm

LENSE 133mm Borosilicate glass tempered

ENCLOSURE CONTROLLER Steel powder coated grey RAL7035

DIMENSIONS CONTROLLER 400x300x170 mm

POWER CONSUMPTION Max. 100 Watt

POWER SUPPLY 95-255 VAC

LIGHT SOURCE High Brightness LED's

LIGHT OUTPUT 2500 Cd +/- 10%

LIGHT OUTPUT CONTROL 100%, 10% and 3%

EXPECTED LIFETIME >50.000 hours

FLASH RATE 30 FPM in the format of Morse code letter H. Other rates available on request

CABLE GLAND 4x M20 standard

CABLE Max 50m

AMBIENT TEMPERATURE -40 °C to + 50 °C

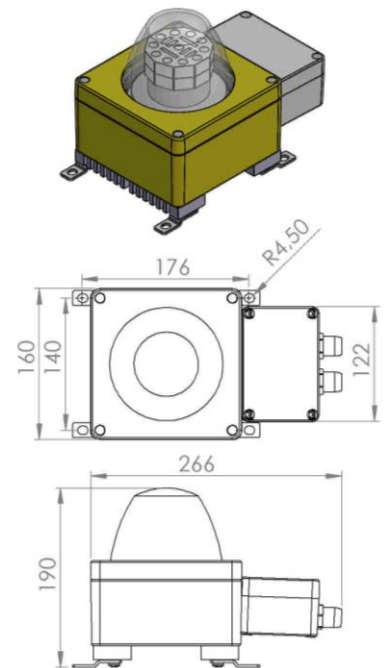
INGRESS PROTECTION light: IP66; Controller unit: IP66

COMPLIANCES ICAO Annex 14 Vol. II

UK CAA CAP 437

Atex zone 2 & Safe zone

EASA ADR



Holland Aviation
Daniëlsweg 40
4451 HW Heinkenszand
The Netherlands

Tel. +31 (0)113 613467
Fax. +31 (0)113 613570
Email: info@hollandaviation.com
www.hollandaviation.com

