



DATASHEET:

HA-L806 EXEL

FRANGIBLE 'CLOSE TO RUNWAY' AIRPORT WINDSOCK ASSEMBLY

The HA-L806 EXEL is a reliable wind direction and wind speed indication. The reliable illumination system (if present) is fixed and therefore has no rotating electric parts or slip-rings. Due to its unique design maintenance cost and power consumption are low. The hinged base enables easy replacement of the windsock.

COLOURS	FAA-orange and ICAO-red/white
WINDSOCK SIZE	Ø45x250cm
WINDSOCK MATERIAL	Polyester, PU coated, approx. 185 gr/m ²
WINDSOCK FRAME MATERIAL	Stainless steel AISI 316L
SWIVEL HEAD	2 heavy duty sealed stainless steel bearings
MAST LENGHT	1500mm EXEL mast
MAST MATERIAL	EXEL mast: Glass Fiber Composite Top and light: T50 aluminium
FOUNDATION BASE	Galvanised steel
LIGHTING STYLES	Unlighted, externally lighted, internally lighted
POWER SUPPLY	90-240VAC or 6,6A
POWER CONSUMPTION	Internal Lighting: 12 Watt External Lighting: 40 Watt Obstruction Light: 5 Watt
INGRESS PROTECTION	IP65
AMBIENT TEMPERATURE	-40°C to +60°C
COMPLIANCES	ICAO Annex 14 Vol. I Aerodromes ICAO Annex 14 Vol. II Heliports FAA AC150/5345-27 UK CAA CAP 168 and CAP 437 EASA ADR



This is an exclusive product for:

**ADB
SAFEGATE**

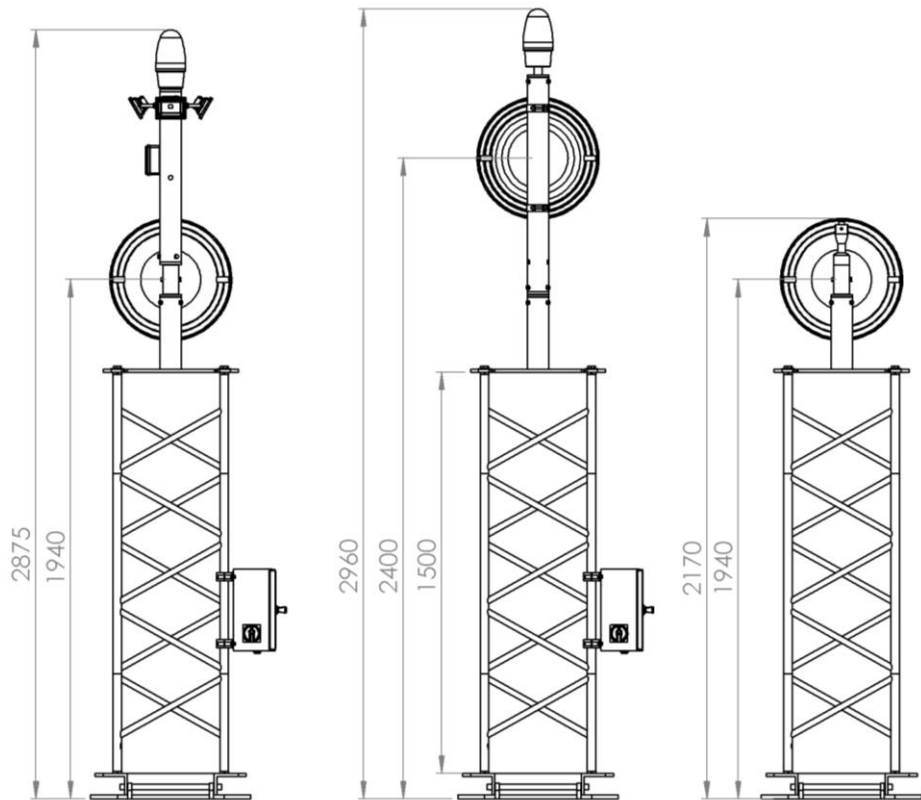
Holland Aviation
Daniëlsweg 40
4451 HW Heinkenszand
The Netherlands

Tel. +31 (0)113 613467
Fax. +31 (0)113 613570
Email: info@hollandaviation.com
www.hollandaviation.com





DIMENSIONS



Style I-A: Externally Lighted

Style I-B: Internally Lighted

Style II: Unlighted

This is an exclusive product for: **ADB SAFEGATE**

Holland Aviation
Daniëlsweg 40
4451 HW Heinkenszand
The Netherlands

Tel. +31 (0)113 613467
Fax. +31 (0)113 613570
Email: info@hollandaviation.com
www.hollandaviation.com

