



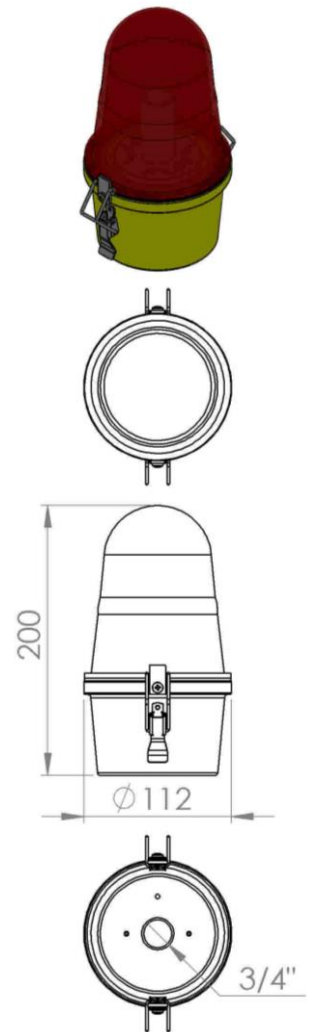
DATASHEET:

HA-OL

OBSTRUCTION LIGHT

HA-OL is a low-intensity obstruction light to denote obstacles up to 45 meters/150 feet .

ENCLOSURE	Heavy aluminium body, colour: yellow RAL 1021, chromate conversion and powder coating
DIMENSIONS	Ø112x200mm
WEIGHT	1,5 Kg
LENS	Borosilicate glass tempered (Red)
MOUNTING	3/4" threading in the bottom of the body
LIGHT SOURCE	LED
POWER CONSUMPTION	5 watt
EXPECTED LIFETIME	>75.000 hours
POWER SUPPLY	110-240VAC 50/60 Hz
LIGHT OUTPUT	ICAO Class A >10 cd and ICAO Class B >32,5 cd and >50 cd (Dutch aviation authority)
AMBIENT TEMPERATURE	-40 °C to + 50 °C
INGRESS PROTECTION	IP 65
COMPLIANCES	ICAO Annex 14 Vol. I and Vol. II heliports UK CAP 437 UK CAP 168 Atex zone 2 ATEX II 3 G Ex nA IIC T5 EASA ADR



Holland Aviation
Daniëlsweg 40
4451 HW Heinkenszand
The Netherlands

Tel. +31 (0)113 613467
Fax. +31 (0)113 613570
Email: info@hollandaviation.com
www.hollandaviation.com

