



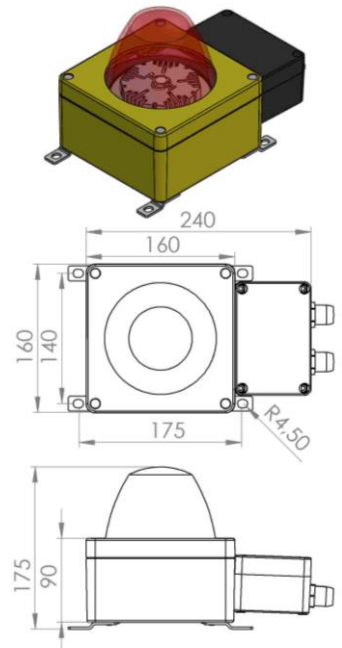
DATASHEET:

## HA-OSH 11 OBSTRUCTION LIGHT

### LED TECHNOLOGY ATEX ZONE 2

HA-OSH 11-32 or HA-OSH 11-50 is a low-intensity obstruction light to denote obstacles up to 45 meters/150 feet .

ENCLOSURE	Aluminium body, colour: yellow RAL 1021, chromate conversion and powder coating
DIMENSIONS	160 x 240 x 175 mm
WEIGHT	4,5 Kg
LENS	Borosilicate glass tempered (Red)
CABLE GLAND	2x M20 standard
LIGHT SOURCE	High power LED
POWER CONSUMPTION	5 watt
EXPECTED LIFETIME	>75.000 hours
POWER SUPPLY	Multi voltage power supply 90-264VAC 50/60 Hz 110-370VDC 50/60 Hz
LIGHT OUTPUT	ICAO Class A >10 cd and ICAO Class B >32,5 cd and >50 cd (Dutch aviation authority)
AMBIENT TEMPERATURE	-40 °C to + 60 °C
INGRESS PROTECTION	IP 66
OPTIONS	-Flashing 30, 60, 90 or 120 Fpm (factory set) -Other input voltages
COMPLIANCES	ICAO Annex 14 Vol. II UK CAP 437 Atex zone 2 ATEX II 3 G Ex nA IIC T5 EASA ADR



Holland Aviation  
Daniëlsweg 40  
4451 HW Heinkenszand  
The Netherlands

Tel. +31 (0)113 613467  
Fax. +31 (0)113 613570  
Email: [info@hollandaviation.com](mailto:info@hollandaviation.com)  
[www.hollandaviation.com](http://www.hollandaviation.com)

