



DATASHEET:

HA-SEATING POT

BASE FOR INSET LIGHTS IN HELIPADS

HA-Seating Pot for the HA-ILD LS 180 inset light. For mounting HA inset lights in concrete or other surfaces of helicopter platforms. The HA-Seating Pot has an open bottom for cable entry. The HA-Seating Pot has to be mounted flush with the platform surface.

ENCLOSURE	Aluminium body
DIMENSIONS	Ø200 x 133 mm
WEIGHT	1,2 Kg

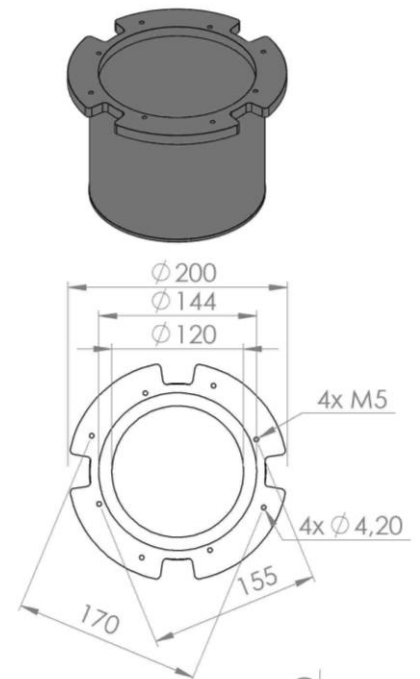


Figure 1: HA-Seating Pot

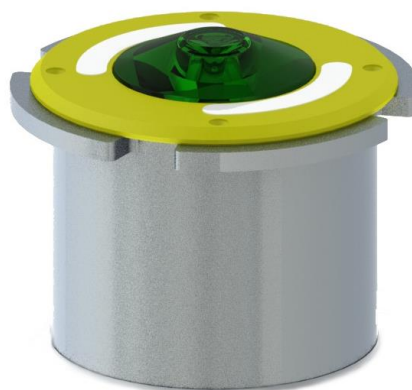
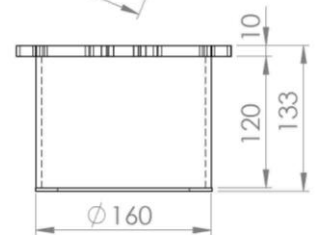


Figure 2: HA-Seating Pot with Inset Light



Holland Aviation
Daniëlsweg 40
4451 HW Heinkenszand
The Netherlands

Tel. +31 (0)113 613467
Fax. +31 (0)113 613570
Email: info@hollandaviation.com
www.hollandaviation.com