



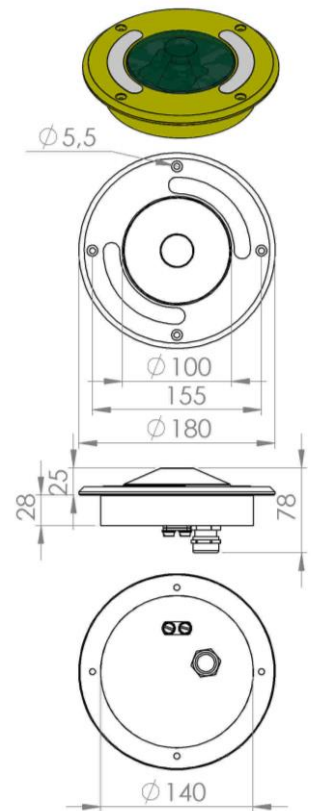
OMNIDIRECTIONAL INSET LIGHT LED TECHNOLOGY

ATEX IECEx Flame proof suitable for Zone 1.

II 2 G Ex db op is IIC T6 Gb Ta -25°C to + 60 °C.

For direct installation onto the helideck

ENCLOSURE	Aluminium body, chromate conversion and powder coating. Sealed for life
DIMENSIONS	Ø180 x 78 mm (only 25mm above deck)
WEIGHT	1,5 Kg
LENS	Borosilicate glass, roll over type
CABLE	Standard: 1x M20 cable gland with 1,5m cable
LIGHT SOURCE	High power LED Green (White, Blue, Yellow or Red also available on request)
POWER CONSUMPTION	5 watt
EXPECTED LIFETIME	>75.000 hours
POWER SUPPLY	100-230V or 9-36 VDC (optional)
LIGHT OUTPUT	>32,5 cd
AMBIENT TEMPERATURE	-25 °C to + 60 °C
INGRESS PROTECTION	IP 67
COMPLIANCES	ICAO Annex 14 Vol. II UK CAP 437 IMO 2009 MODU CODE EASA ADR



ATEX
IECEX



Holland Aviation
Daniëlsweg 40
4451 HW Heinkenszand
The Netherlands

Tel. +31 (0)113 613467
Fax. +31 (0)113 613570
Email: info@hollandaviation.com
www.hollandaviation.com

