



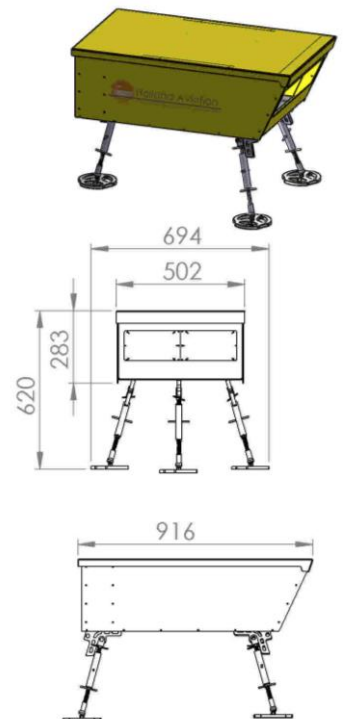
DATASHEET:

## HA-APAPI 12V

PORTABLE, BATTERY POWERED, LED APAPI SYSTEM

An abbreviated precision approach path indicator (APAPI) is a visual aid that provides guidance information to help a pilot acquire and maintain the correct approach path to a runway threshold or TLOF (heliport). The HA-APAPI 12V is a portable lighting system with three foldable, adjustable legs.

ENCLOSURE	Aluminium body (AlMg4,5), colour: Yellow RAL 1021, NATO Green RAL 6031, or any colour on request.
DIMENSIONS LIGHT	916x502x620mm
WEIGHT LIGHT	Appr. 21 kg
LENS	Borosilicate glass
COLOUR FILTER	Dichroic Red
LIGHT SOURCE	2 x 90 Watt LED
POWER CONSUMPTION	180 Watt
SERVICE TIME	7 hours at 12V, 14 hours at 24V
BATTERY POWER SUPPLY	12V/105 Ah SLAB or 24V/210Ah SLAB
BATTERY LEVEL	LED indication on charger
CONTROL	Manual (standard) and/or wireless (optional)
RC FREQUENCY	2,4 GHz
RC RANGE	1000-1200 m (depending on height of the antenna) from transmitter to nearest light (endless with a MESH system)
AMBIENT TEMPERATURE	-20 °C to + 50 °C
INGRESS PROTECTION	IP 44
OPTIONAL	Clino meter (Mitutoyo pro 3600) Heater system to prevent mist on lenses
COMPLIANCES	ICAO Annex 14 Vol. I UK CAA CAP 168 EASA ADR EASA CS-HPT-DSN
HS CODE (CUSTOMS TARIFF)	85131000



Holland Aviation  
Daniëlsweg 40  
4451 HW Heinkenszand  
The Netherlands

Tel. +31 (0)113 613467  
Fax. +31 (0)113 613570  
Email: [info@hollandaviation.com](mailto:info@hollandaviation.com)  
[www.hollandaviation.com](http://www.hollandaviation.com)

