



DATASHEET:

## HA-80 FL

### WINDSOCK ASSEMBLY FOR ANY DESIRED LOCATION

The HA-80 FL is a reliable wind direction and wind speed indicator for installation on any desired location. The reliable illumination system (if present) is fixed and therefore has no rotating electric parts or slip-rings. Due to its unique design maintenance cost and power consumption are low.

MAST DIAMETER

76,1 mm

MAST LENGHT

Standard: 200mm

(or any other lenght on request max 5800mm)

For dimensions of the different lighting styles, see other side.

MAST MATERIAL

Stainless steel 316L

WINDSOCK

Colour red/white (ICAO) or orange (FAA), double stitched with reinforced front hem and grommets. The HA windsock sleeves have been proven to withstand wind speeds in excess of 145 km/h (75 knots). The windsock fabrics have been tested for mechanical strength, UV resistance and colour fastness by an independent laboratory.

WINDSOCK SIZES

Ø300 x 1200mm	Ø500 x 1500mm
Ø300 x 1500mm	Ø500 x 1500mm with push button
Ø300 x 1800mm	Ø600 x 2400mm
Ø400 x 2500mm	Ø600 x 3000mm
Ø450 x 2450mm	Ø18" x 8ft (FAA size 1)
	Or any other custom made size

OPTIONS

Ex Junction Box: CEAG eAZK 96 1 2xM20 or 4xM20 certified for: EEX e II T6 Zone 1 and Zone 2

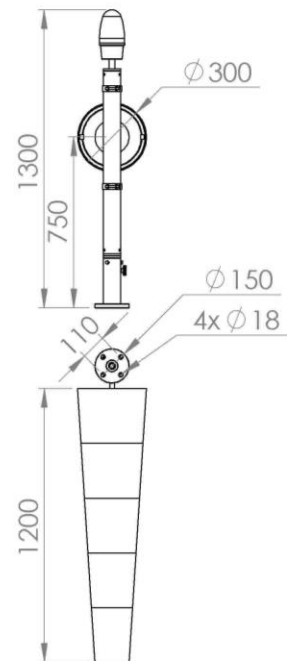
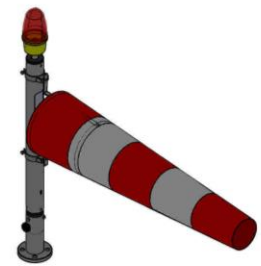


COMPLIANCES

ICAO Annex 14 Volume I and II  
FAA AC150/5345-27  
UK CAA CAP 168 and CAP 437  
EASA ADR  
EASA CS-HPT-DSN

HS CODE (CUSTOMS TARIFF)

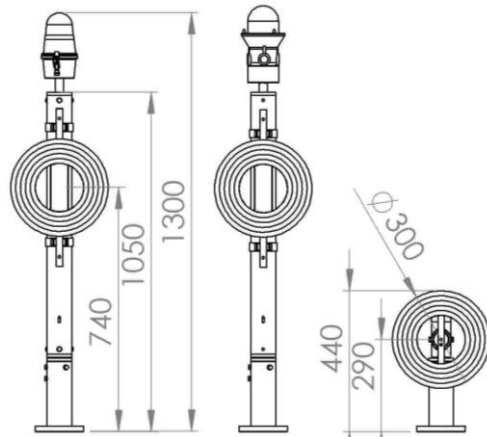
9015802000



Holland Aviation  
Daniëlsweg 40  
4451 HW Heinkenszand  
The Netherlands

Tel. +31 (0)113 613467  
Fax. +31 (0)113 613570  
Email: [info@hollandaviation.com](mailto:info@hollandaviation.com)  
[www.hollandaviation.com](http://www.hollandaviation.com)





Internally Lighted Internally Lighted Ex Unlighted



## NORMAL INTERNAL LIGHTED

Type internal lighting: HA-Internal Lighting  
Power supply: 90-240VAC or 6,6A  
Power consumption internal light: 12 Watt LED

Type obstruction light: HA-OL  
Power supply: 90-240VAC or 6,6A  
Power consumption obstruction light: 5 Watt LED

Ingress protection: IP65  
Ambient Temperature: -40°C to +60°C



## EX INTERNAL LIGHTED

Type obstruction light: EatonAB50 SPG1N  
Red low intensity class B  
Power supply: 90-240 VAC or 12-24VDC  
Power consumption Obstruction Light: 5 Watt LED  
Marking: Ex II 2 G Ex d IIC T6  
EC-type certificate: LOM 02ATEX2018X  
Certificate: BVS 15 ATEX ZQS/E345  
Ingress Protection: IP66  
Ambient Temperature: -50°C to +55°C

Type internal lighting: Thuba GB 34 20 0385  
Power supply: 85-265 VAC or 12-370 VDC  
Power consumption Internal Light: 20 Watt LED  
Marking: Ex db IIC T6 Gb  
Certificate: IECEx BVS 18.0055  
BSV 17 ATEX E 078 X  
Ingress Protection: IP 68  
Ambient Temperature: -20°C to +50°C



Holland Aviation  
Daniëlsweg 40  
4451 HW Heinkenszand  
The Netherlands

Tel. +31 (0)113 613467  
Fax. +31 (0)113 613570  
Email: [info@hollandaviation.com](mailto:info@hollandaviation.com)  
[www.hollandaviation.com](http://www.hollandaviation.com)

